

ELECTRONIC SENSOR



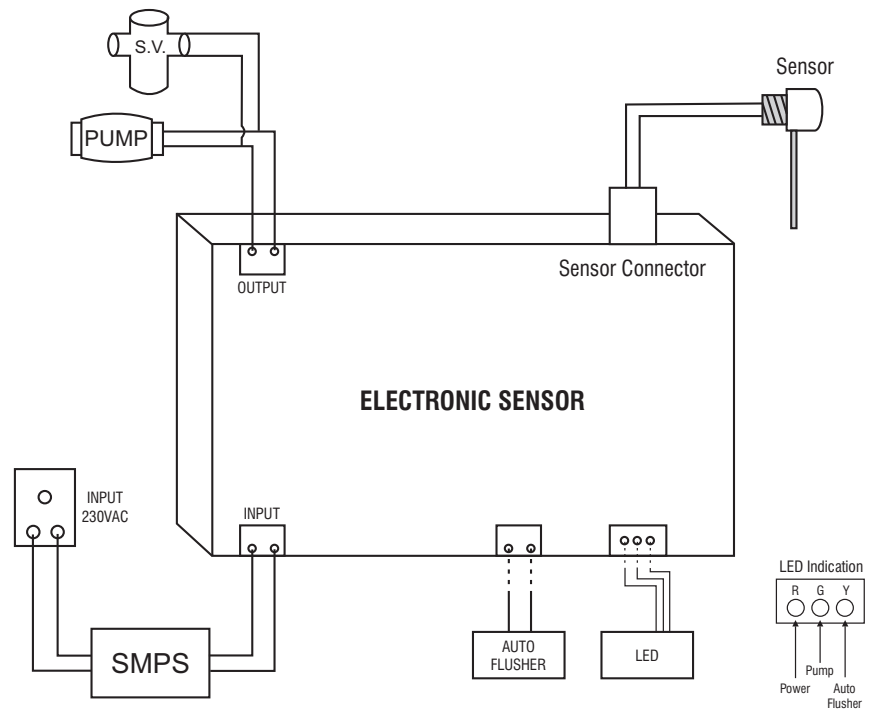
Since 1991

WIRING DIAGRAM

Specification...

VOLTAGE	24V DC	36V DC
MODEL	ES24AFL	ES36AFL

- **Current Cap.** : 3 Amp. (Max.)
- **Type** : K (Kent) D (Dolphin)
- **Optional** : LED Light & Auto Flusher
- **Auto Flush Time** : 30 - 35 Seconds.
- **Dimension** : 70 x 40 x 25 mm. (LWH)
- **Gross Weight** : 0.065 Kg.
- **Applicable for Counter Top RO System**
This Product Replace to Float Valve



NOTE :- PUMP WILL BE START AFTER 60 SECONDS